

Thermo Scientific ISQ SilTite™ FingerTite Kit

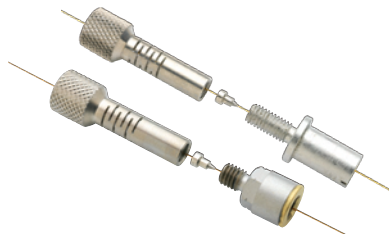
Installation Instructions - P/N 073615

Congratulations! You have purchased the latest innovation in GC capillary column connections by SGE Analytical Science. The SilTite™ FingerTite fittings system enables you to install and remove a column without using a wrench and is designed to be self installed using this installation manual.

Suitable for the following instruments: Trace GC split/splitless injector; ISQ Single Quadrupole GC-MS.

KIT CONTENTS

- 5 x SilTite™ FingerTite Nuts (Female) Re-order P/N 073636
- 10 x 0.4 mm SilTite™ FingerTite Ferrules Re-order P/N 073630
(Order P/N 073631 Pk 10 for 0.5 mm ferrules)
- 2 x Nut 10-32 UNF
- 1 x Adapter Injection Port
- 2 x Seal Injection Port
- 1 x Adapter MS
- 1 x SilTite™ FingerTite Ferrule Install Tool



INJECTOR ADAPTER INSTALLATION

This procedure is no different than cleaning the inlet, replacing the seal or base plate. Do not lose any of the items that are replaced.

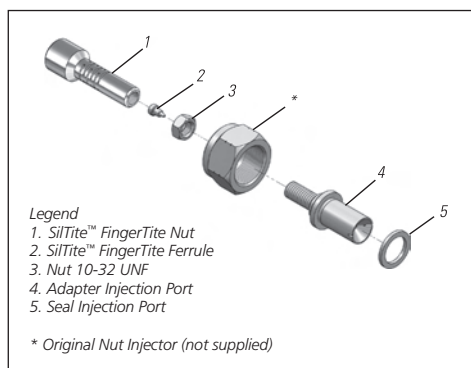


Figure 1. Exploded diagram of the injection port SilTite™ FingerTite assembly.

1. Cool the injector.
2. Remove the column and column nut (if attached).
3. Remove the Thermal Insulator at the base of the injector. Unscrew the large nut* assembly at the base of the injector, turn anti-clockwise.
4. Remove the seal and capillary adapter assembly. Retain these parts.

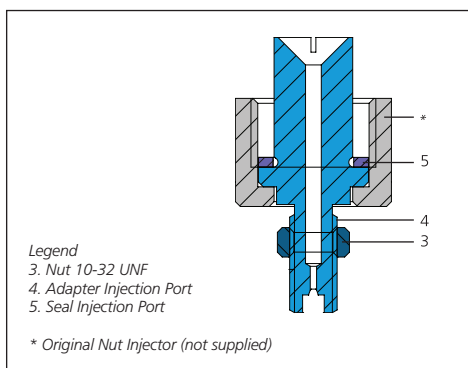


Figure 2. Image of the injector showing the SilTite™ FingerTite injector adapter assembly.

5. Locate the Adapter Injection Port (4), Seal (5) and assemble as displayed in Figure 2.
6. Insert the Adapter Injection Port into the base of the injector and tighten the nut clockwise.
7. Replace Thermal Insulator using nut (3).

INSTALL MS ADAPTER

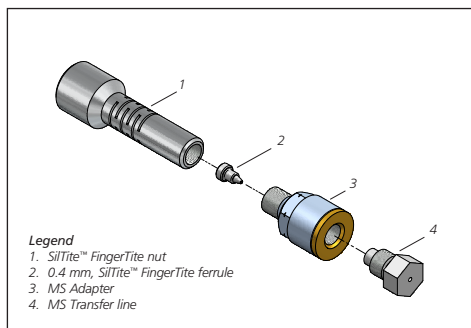


Figure 3. Image of the detector showing the lower nut assembly.

1. Make sure the transfer line temperature is cool before you proceed.
2. Locate the adapter MS interface (3) and ensure that the seal (3a) is in place. The seal is pre assembled but may have come loose during transit.
3. Using fingers screw the adapter MS interface (3) (brass end – 3b) onto the transfer line until it stops. Using a wrench tighten a further 30 ° to ensure a good seal. Do not attempt to tighten further as this may damage the mass spectrometer interface.

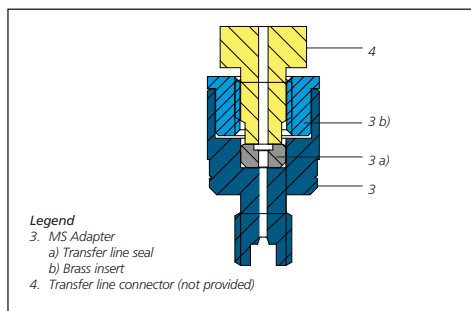


Figure 4. Exploded diagram of the MS SilTite™ FingerTite assembly.

COLUMN INSTALLATION



Figure 5. SilTite™ FingerTite ferrule install tool

1. Slide a SilTite™ FingerTite nut (1) onto the tubing first, followed by a SilTite™ FingerTite ferrule (2). The flat base of the ferrule aligns with the nut and the cone points to the MS transfer line or injector.
2. Using the SilTite™ FingerTite ferrule install tool displayed in Figure 5, push approximately 20 mm more tubing than required through the install tool. Tighten the nut, using your fingers only to seat the ferrule onto the column – there is no need to use excessive force, once the seal is made the tubing will be held firm and will not move. Use a rule to mark the column insertion distance, then cut the column. The distances for column insertion into the Agilent injector are in Table 1 and are calculated from the back of the ferrule.
3. For MS installation screw the additional MS Adapter (3) onto the column installation tool (G1099-20030) supplied with the instrument. With the MS Adapter added to the gauge tool it will be the correct length for the modified transfer line. Using the modified column installation tool, push the tube approximately 2 mm past the end of the tool. Tighten the nut, using your fingers only to seat the ferrule onto the column. Alternatively follow the manufacturer's instructions for column insertion without the column installation tool, found in the MDS hardware guide.
4. Insert the pre assembled nut and ferrule into the injector and mass spectrometer and screw in the nut using finger force only – again, there is no need to use excessive force to make a seal. You cannot break the capillary column if you over tighten the ferrule although an over tightened ferrule may stick to the cone of the adapter. To remove an over tightened ferrule SGE recommends gently levering between the shoulder of the ferrule and the relevant adapter (please refer to SGE's web site <http://www.sge.com/siltitefingerite> for the recommended method of removing an over tightened SilTite™ FingerTite ferrule). Under no circumstances are wrenches or pliers to be used on these fittings.

Injector/Detector	Distance
Detector	7.5 - 9.5 mm
Split Mode	59 mm
Splitless Mode	85 mm

Table 1. Column measurements for correct assembly.

AUSTRALIA & PACIFIC REGION SGE Analytical Science Pty Ltd Toll Free: 1800 800 167 Tel: +61 (0) 3 9837 4200 Fax: +61 (0) 3 9874 5672 Email: support@sge.com	CHINA SGE Shanghai Representative Office Tel: +86 21 6407 9382 Fax: +86 21 6407 9386 Email: china@sge.com	MIDDLE EAST SGE Gulf Tel: +971 6 557 3341 Fax: +971 6 557 3541 Email: gulfsupport@sge.com
EUROPE SGE Europe Ltd European Head Office Toll Free: 00800 2790 8999 Toll Free Fax: 00800 2626 2609 Tel: +44 1908 568 844 Fax: +44 1908 566 790 Tel France: +33 1 69 29 80 90 Fax France: +33 1 69 29 09 25 Tel Germany: +49 (0) 6155 / 60746 0 Fax Germany: +49 (0) 6155 / 60746 50 Email: europe@sge.com	INDIA SGE Laboratory Accessories Pvt Ltd Tel: +91 22 24715896 Fax: +91 22 24716592 Email: sgeindia@vsnl.com	UNITED STATES OF AMERICA SGE Incorporated Toll Free: (800) 945 6154 Tel: +1 512 837 7190 Fax: +1 512 836 9159 Email: usa@sge.com
JAPAN SGE Japan Inc Tel: +81 45 222 2885 Fax: +81 45 222 2887 Email: japan@sge.com		