

# Varian/Bruker GCMS SilTite™ FingerTite KIT

## Installation Instructions – P/N 073619

*Congratulations you have purchased the latest innovation in GC capillary column connections by SGE Analytical Science. The SilTite™ FingerTite fittings system enables you to install and remove a column without using a wrench and is designed to be self installed using this installation manual.*

*Suitable for two standard 10/32 GC connectors*

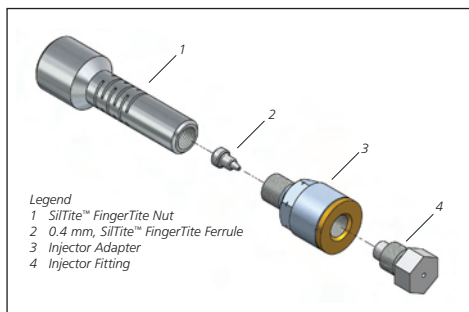
### KIT CONTENTS

- 1 x Adapter Injector (longer adapter)
- 1 x Adapter MS (shorter adapter)
- 5 x SilTite™ FingerTite nuts – Female (Re-order P/N 073636)
- 10 x 0.4 mm SilTite™ FingerTite Ferrules (Reorder P/N 073630)  
(Reorder P/N 073631 Pk 10 x 0.5 mm ferrules)
- 2 x MS Blanking Ferrules
- 1 x SilTite™ FingerTite Ferrule Install Tool

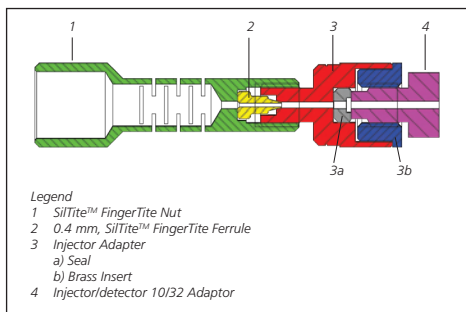


### Injector Adapter Installation

Cool all areas that will receive the new FingerTite adapters including the injector and the transfer-line. Vent the Mass Spectrometer per the manufacturer's instructions.



**Figure 1. The SilTite™ FingerTite Injection Port assembly.**



**Figure 2. Injector showing the lower nut injector assembly.**

1. Remove the column and column nut (if attached).
2. Locate the adapter interface (3) and ensure that the seal (3a) is in place. The seal is pre assembled but may have come loose during transit.
3. Using fingers screw the Injector Adaptor (3) (brass end – 3b) onto the Injector until it stops. Using a wrench tighten a further 30° to ensure a good seal. Do not attempt to tighten further as this may damage the injector interface.

## MS Adapter Installation

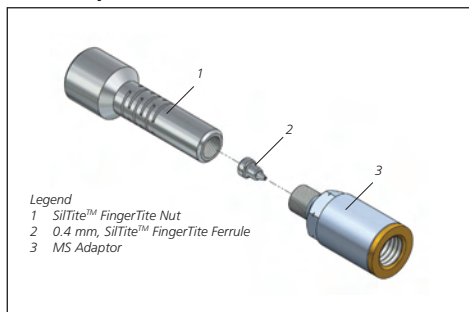


Figure 3. The MS SilTite™ FingerTite assembly.

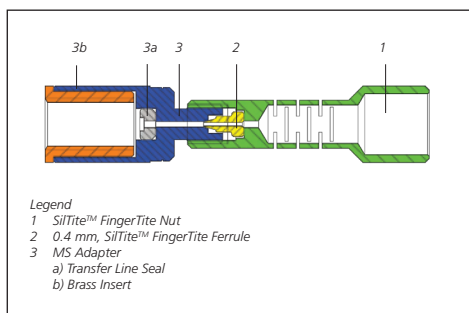


Figure 4. MS Detector showing the lower nut assembly.

1. Locate the adapter MS Interface (3) and ensure that the seal (3a) is in place. The seal is pre assembled but may have come loose during transit.
2. Using fingers screw the MS Interface Adapter (3) (brass end – 3b) onto the transfer line until it stops. Using a wrench tighten a further 30° to ensure a good seal. Do not attempt to tighten further as this may damage the mass spectrometer interface.

## Column Installation



Figure 5. SilTite™ FingerTite Install Tool

1. First, slide a SilTite™ FingerTite nut (1) onto the column, followed by a SilTite™ FingerTite ferrule (2). The flat base of the ferrule aligns with the nut and the cone points to the MS Transfer line or Injector.
2. Using the SilTite™ FingerTite Install Tool displayed in Figure 5, push approximately 20 mm more column than required through the install

tool. Tighten the nut, using your fingers only to seat the ferrule onto the column – there is no need to use excessive force, once the seal is made the tubing will be held firm and will not move. The distances for column insertion into the Varian/Bruker instruments are in Table 1 and are calculated from the back of the ferrule. Use a rule to mark the column insertion distance, then cut the column.

3. Insert the pre assembled nut and ferrule into the injector and screw in the nut using finger force only – again, there is no need to use excessive force to make a seal. You cannot break the capillary column if you over tighten the ferrule although an over tightened ferrule may stick to the cone of the Adapter. **Remember that the ferrule will be the temperature of the Injector or Transfer-line and may be HOT!!** To remove an over tightened ferrule we recommend gently levering between the shoulder of the ferrule and the relevant adapter (please refer to SGE's web site [www.sge.com/siltitefingertite](http://www.sge.com/siltitefingertite) for the recommended method of removing an over tightened SilTite™ FingerTite Ferrule). Under no circumstances are wrenches or pliers to be used on these fittings. The ferrules will seal for many uses as long as the length of the column into the Injector or Transfer-line is not changed.
4. For MS installation push the column approximately 15 mm past the end of the Install Tool. Tighten the nut using your fingers only, to seat the ferrule onto the column – there is no need to use excessive force, once the seal is made the column will be held firm and will not move. The column can now be inserted into the MS detector. Alternatively follow the manufacturers instructions for column insertion, found in the hardware guide.

Injector/Detector	Distance
Split/Splitless Injector	9 - 9.5 mm

Table 1. Column measurements for correct assembly.

### AUSTRALIA & PACIFIC REGION

SGE Analytical Science Pty Ltd  
Toll Free: 1800 800 167  
Tel: +61 (0) 3 9837 4200  
Fax: +61 (0) 3 9874 5672  
Email: support@sge.com

### CHINA

SGE Shanghai Representative Office  
Tel: +86 21 6407 9382  
Fax: +86 21 6407 9386  
Email: china@sge.com

### MIDDLE EAST

SGE Gulf  
Tel: +971 6 557 3341  
Fax: +971 6 557 3541  
Email: gulfsupport@sge.com

### EUROPE

SGE Europe Ltd  
European Head Office  
Toll Free: 00800 2790 8999  
Toll Free Fax: 00800 2626 2609  
Tel: +44 1908 568 844  
Fax: +44 1908 566 790  
Tel France: +33 1 69 29 80 90  
Fax France: +33 1 69 29 09 25  
Tel Germany: +49 (0) 6155 / 60746 0  
Fax Germany: +49 (0) 6155 / 60746 50  
Email: europe@sge.com

### INDIA

SGE Laboratory Accessories Pvt Ltd  
Tel: +91 22 24715896  
Fax: +91 22 24716592  
Email: sgeindia@vsnl.com

### UNITED STATES OF AMERICA

SGE Incorporated  
Toll Free: (800) 945 6154  
Tel: +1 512 837 7190  
Fax: +1 512 836 9159  
Email: usa@sge.com

### JAPAN

SGE Japan Inc  
Tel: +81 45 222 2885  
Fax: +81 45 222 2887  
Email: japan@sge.com

